

BAILEY

SPECIALTY CRANES
& AERIALS

THE BRANDON TRAX





Rugged Honda 690 Gas Engine

- ✓ 22 Net Horsepower
- ✓ 12 Volt Electric Start
- ✓ Adjustable Speed Control
- ✓ 3 Year Manufacturer Warranty
- ✓ Optional LP Attachment
- ✓ Optional Battery Power

Precise & Efficient Piston Pump

- ✓ Load Sensing
- ✓ Horsepower Limiting



Rated Load Limiter

- ✓ Automatically Detects Attachment
- ✓ Stops Before Overloading Occurs
- ✓ Displays Current Load Lifted

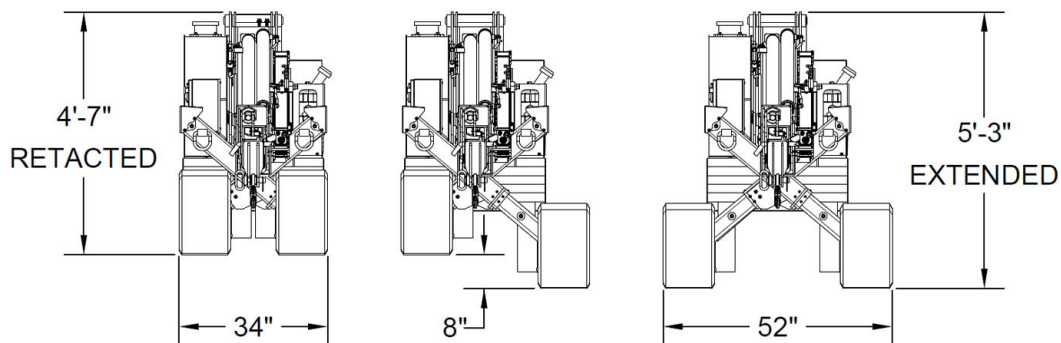
Radio Remote Control

- ✓ Range Up to 300 Feet
- ✓ Attaches to Platform for ManBasket
- ✓ Display Includes Load & Capacity



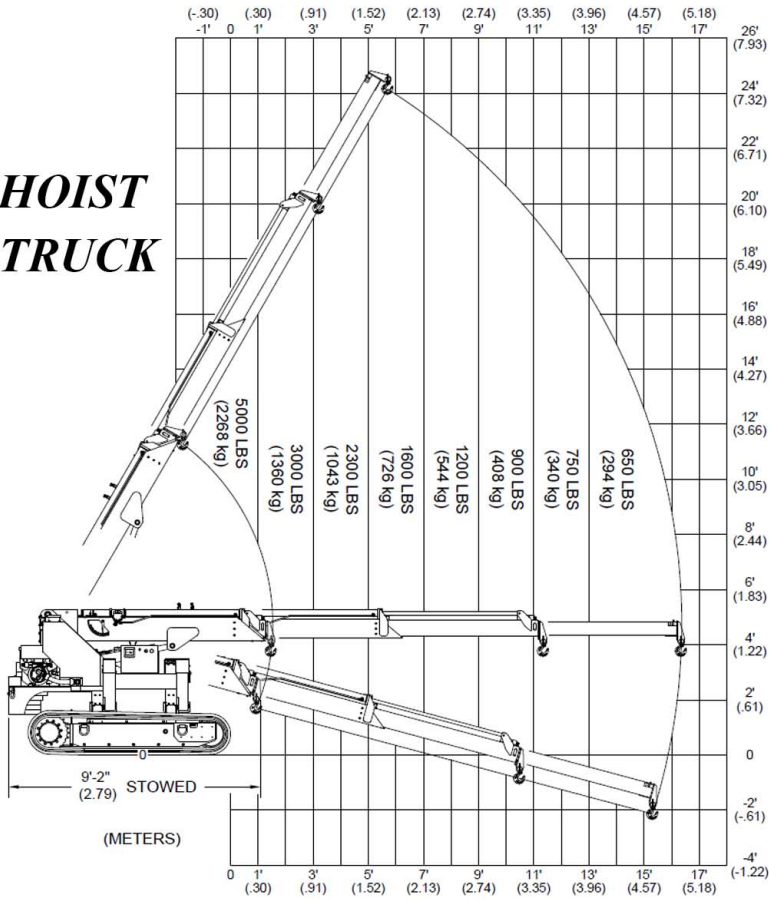
Independently Adjustable Tracks

- ✓ 8" of Vertical Slope Adjustment
- ✓ 34.5" Retracted - Single Door
- ✓ 52" Max Width for Stability
- ✓ No Outriggers Required
- ✓ Pick & Carry Full Capacity

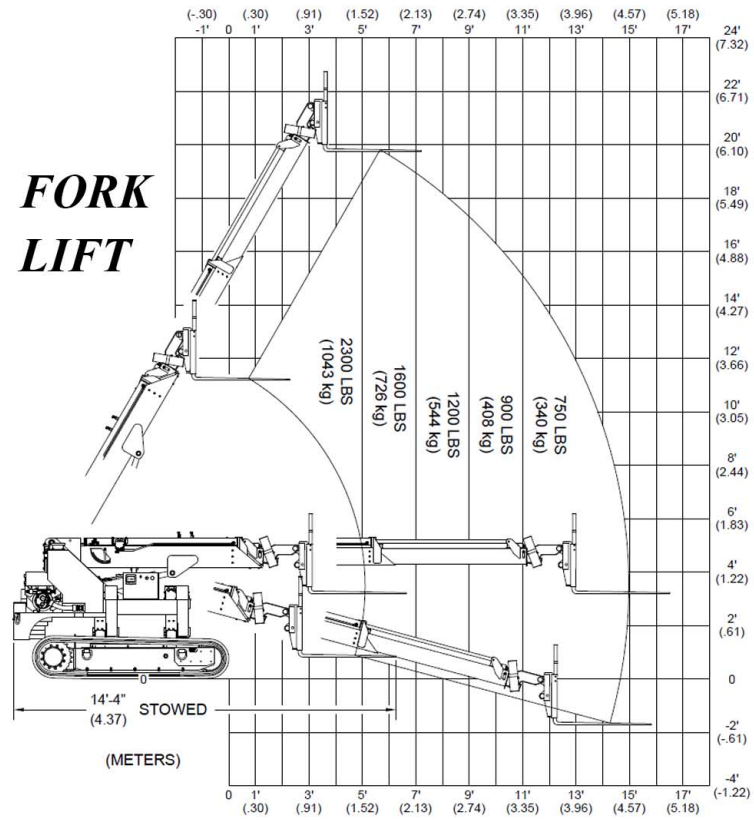


S81W18561 GEMINI DRIVE MUSKEGO, WI 53150 414-446-8412 WWW.BAILEYCRANES.COM

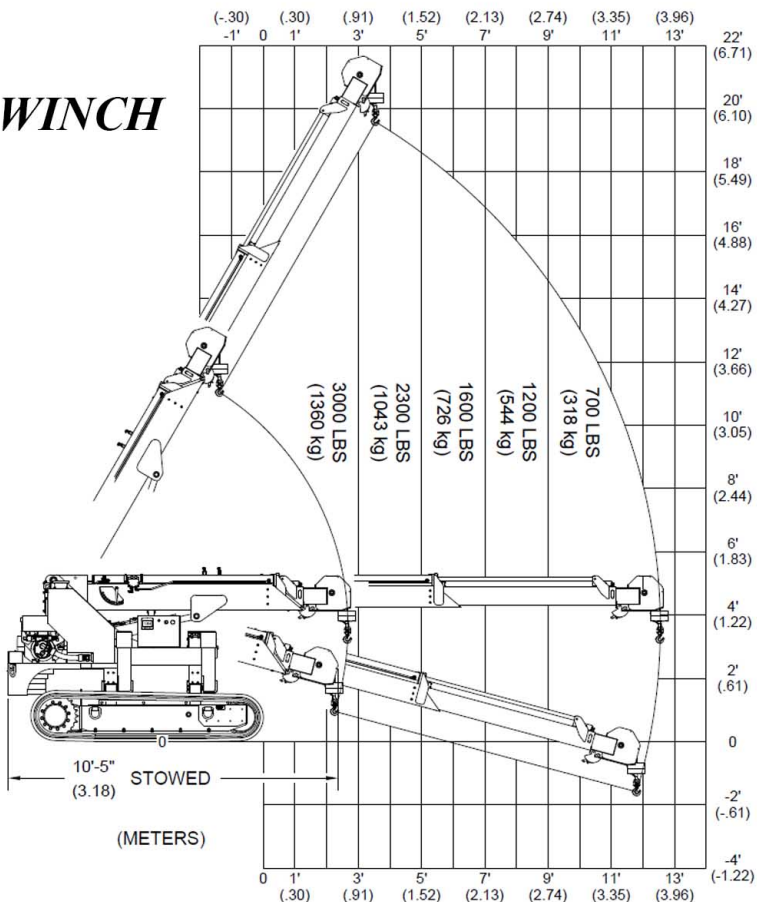
HOIST TRUCK



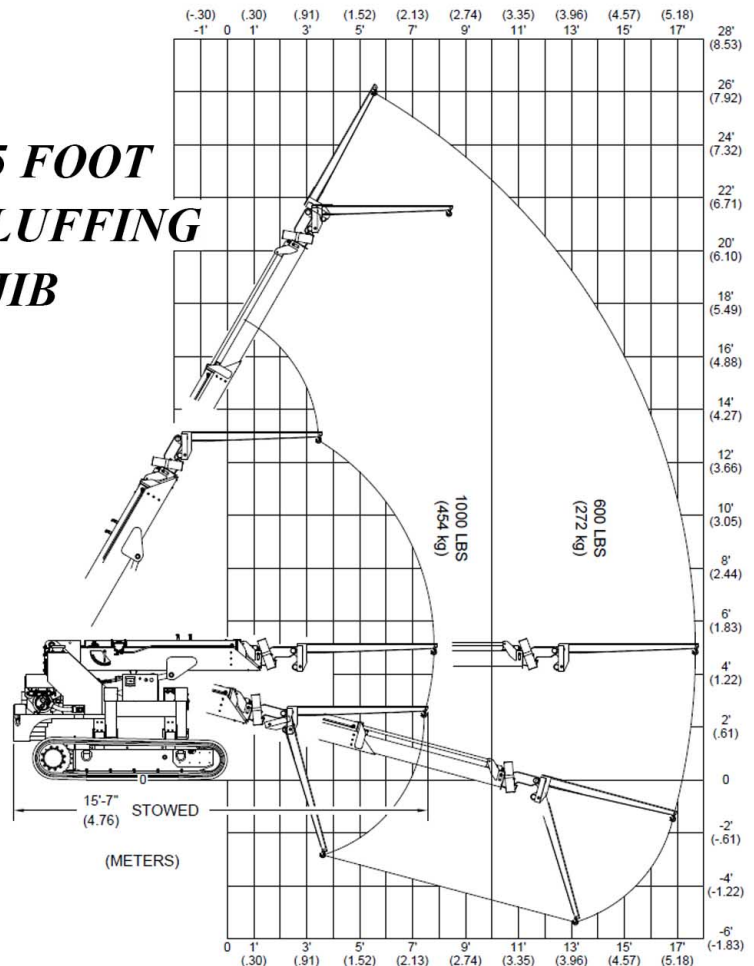
FORK LIFT



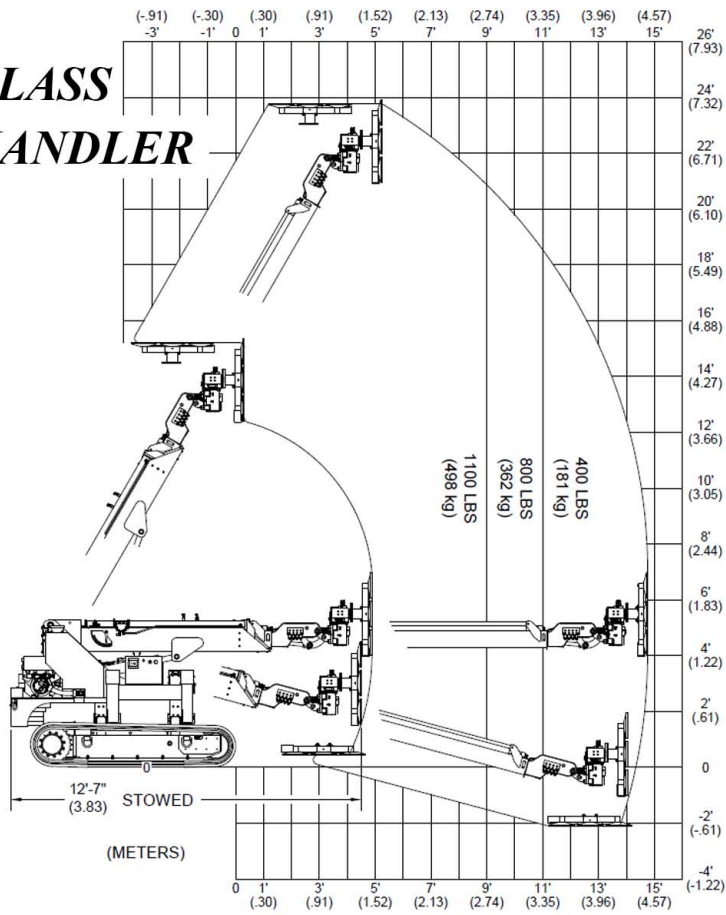
WINCH



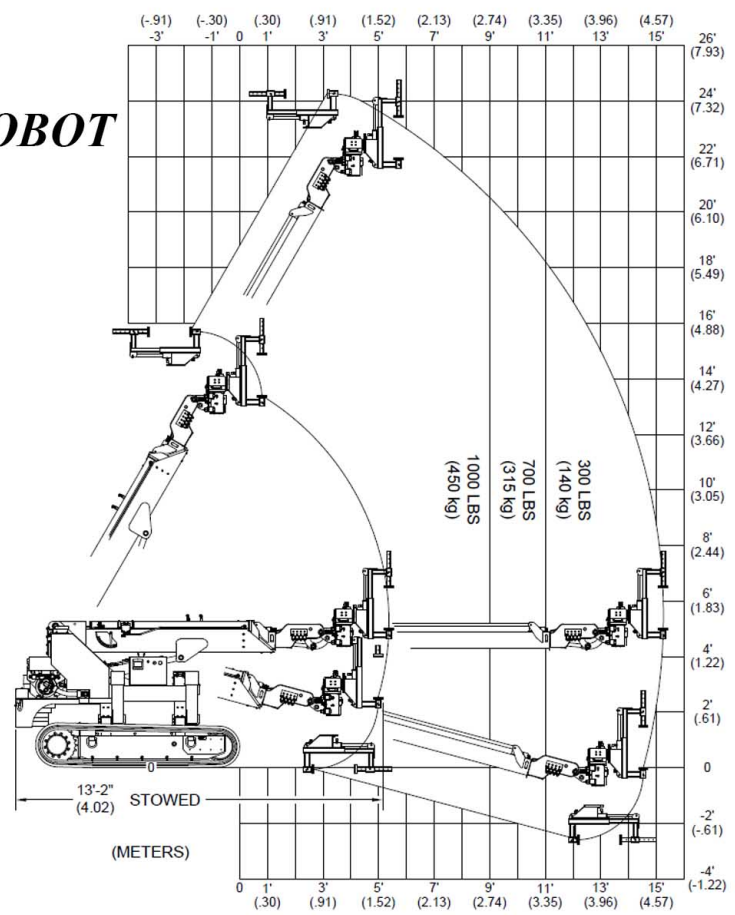
5 FOOT LUFFING JIB



GLASS HANDLER



ROBOT



MAN LIFT

